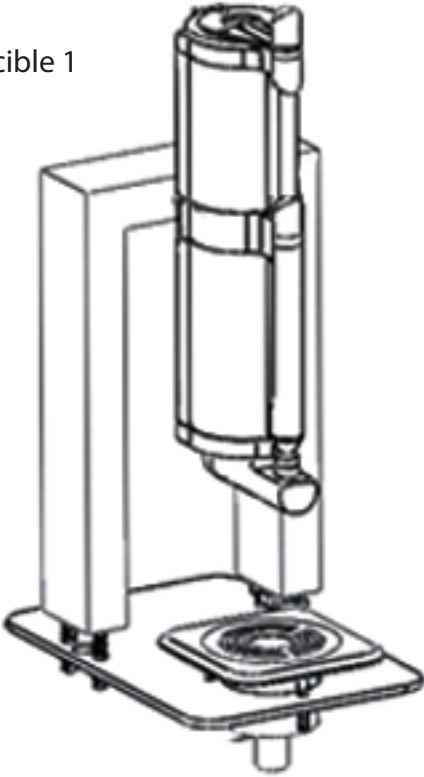
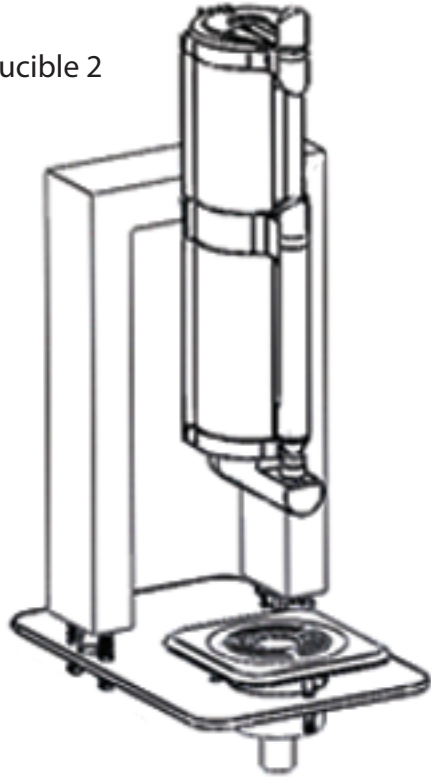


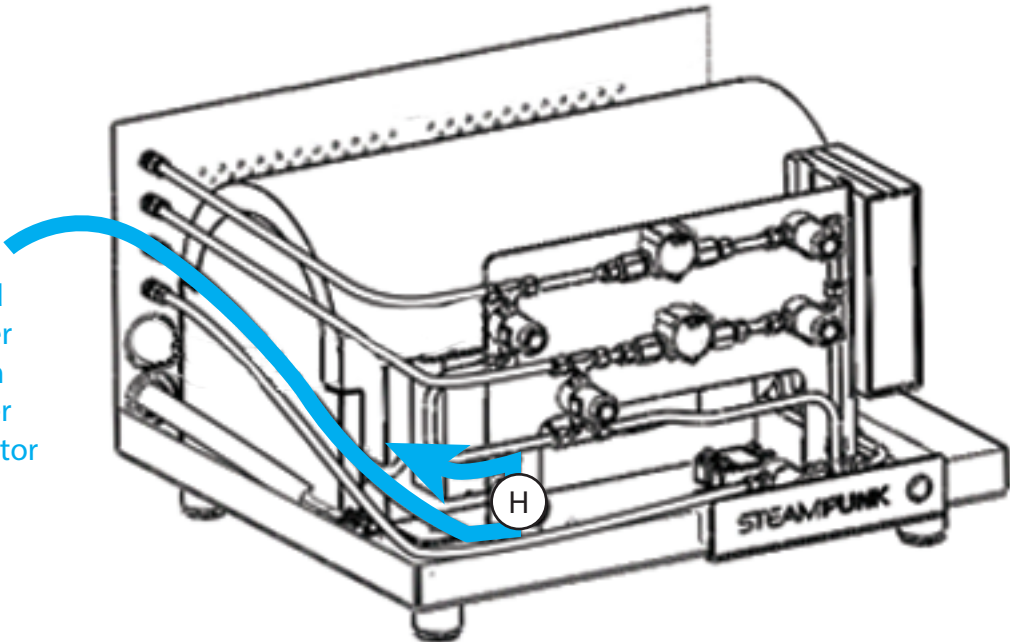
Crucible 1



Crucible 2



Cold Water From Boiler Regulator



(H) Boiler Fill Solenoid