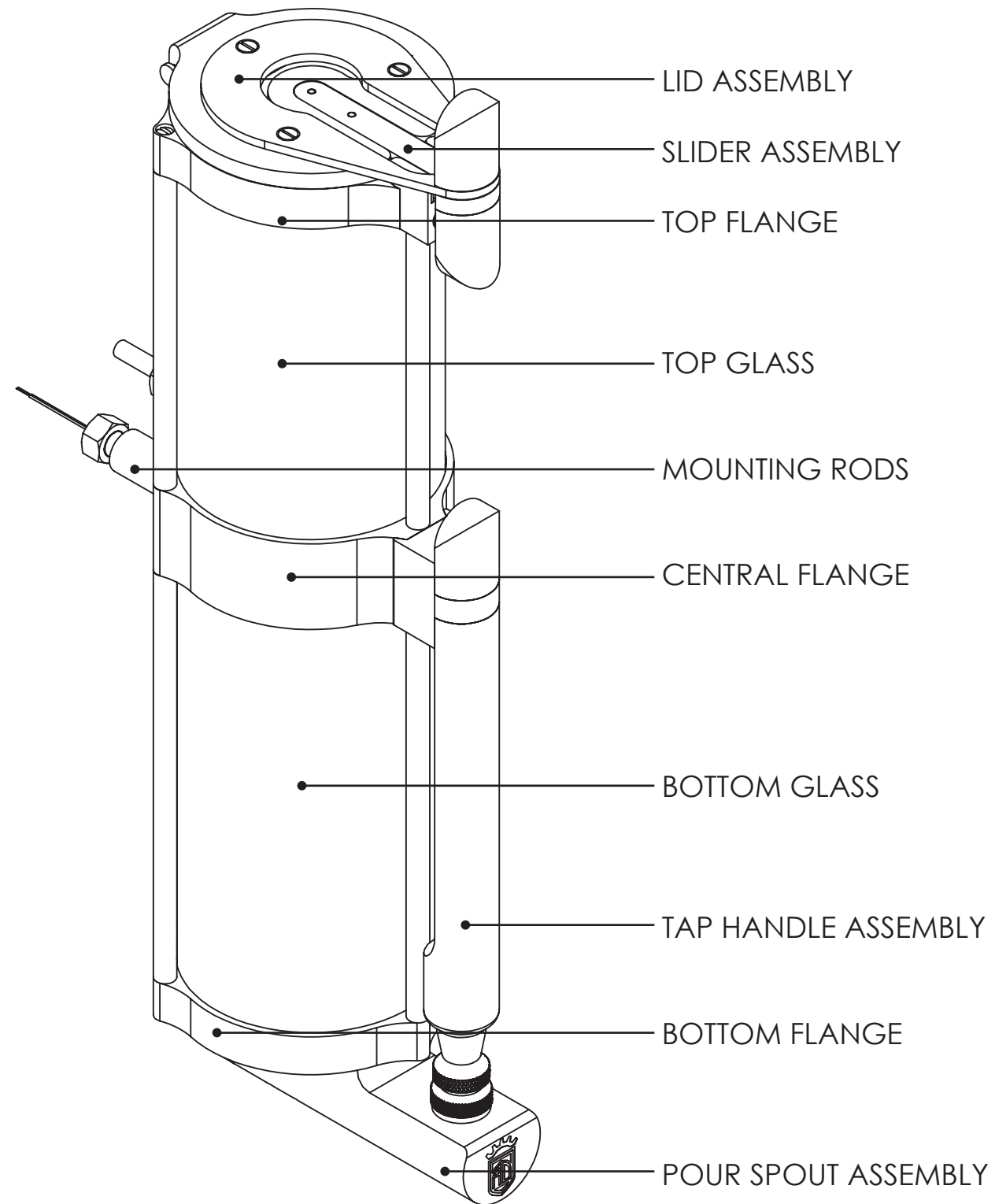


CRUCIBLE ASSEMBLY



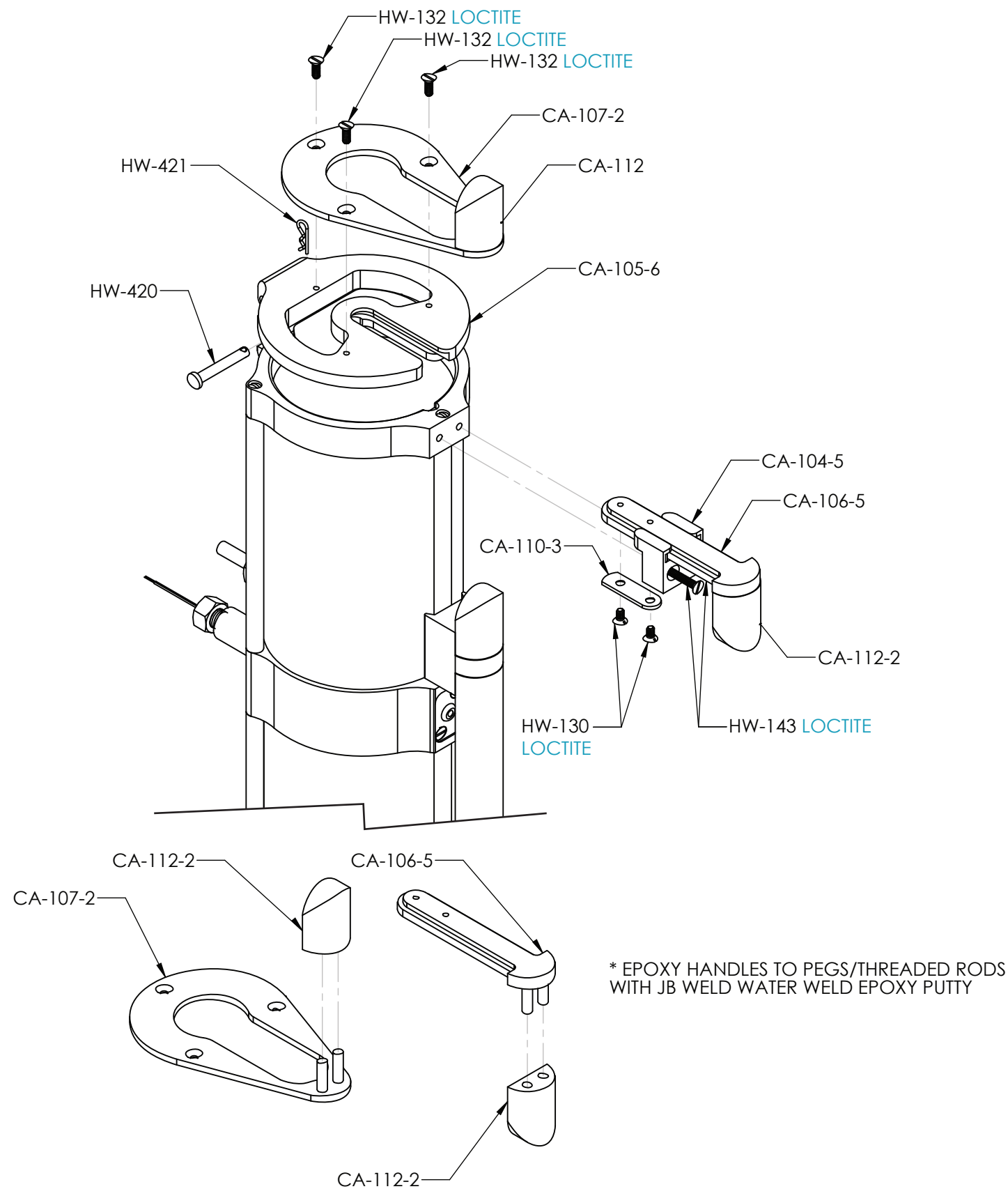
1.

CRUCIBLE ASSEMBLY

ASSEMBLY	SECTION	PG.
LID ASSEMBLY	Lid and Handle/Slider assembly	3-4
SLIDER ASSEMBLY	Lid and Handle/Slider assembly	3-4
TOP FLANGE	Top Glass and Top Flange	5-6
TOP GLASS	Top Glass and Top Flange	5-6
MOUNTING RODS	Central Flange and Mounting Rods	7-8
CENTRAL FLANGE	Central Flange and Mounting Rods	7-8
BOTTOM GLASS	Bottom Glass and Bottom Flange	9-10
BOTTOM FLANGE	Bottom Glass and Bottom Flange	9-10
TAP HANDLE ASSEMBLY	Tap Handle assembly	11-12
POUR SPOUT ASSEMBLY	Pour Spout assembly	13-14

2.

LID AND HANDLE/SLIDER ASSEMBLY



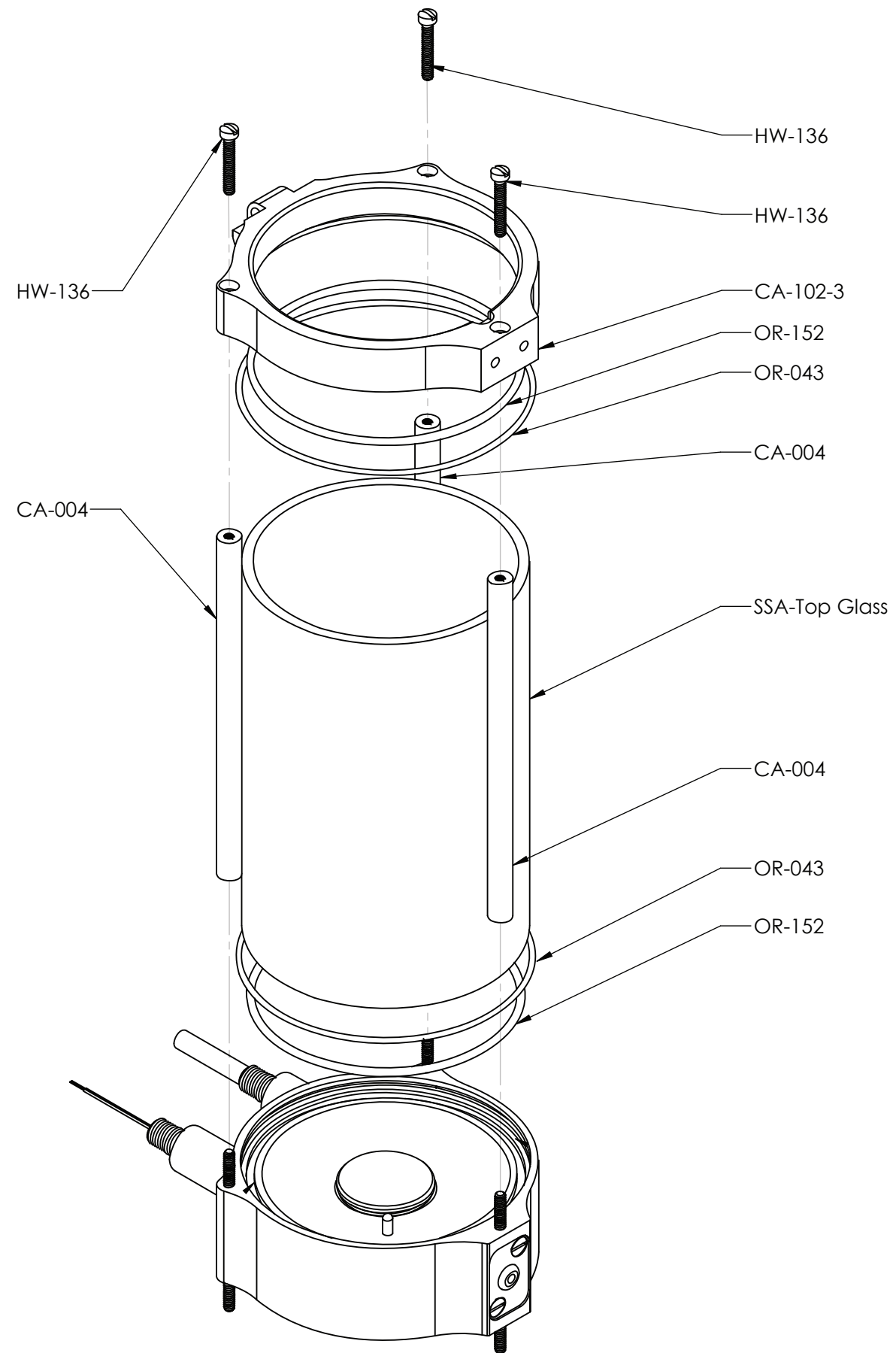
3.

LID AND HANDLE/SLIDER ASSEMBLY

PART NUMBER	DESCRIPTION
HW-132	18-8 SS Flat Head 6-32 1/2"
CA-107-2	Lid Handle (Avocado)
CA-112	Small handle (color must be noted)
HW-421	Cotter Pin for Crucible
CA-105-6	Top Flange Hinge Lid
HW-420	Clevis Pin for Crucible
CA-104-5	Top Flange Slider Box
CA-106-5	Hinge Lid Slider
CA-110-3	Slider Catch Stop Insert
HW-130	18-8 SS Flat Head 6-32 1/4"
HW-143	18-8 SS Flat Head 6-32 3/4"

4.

TOP GLASS AND TOP FLANGE



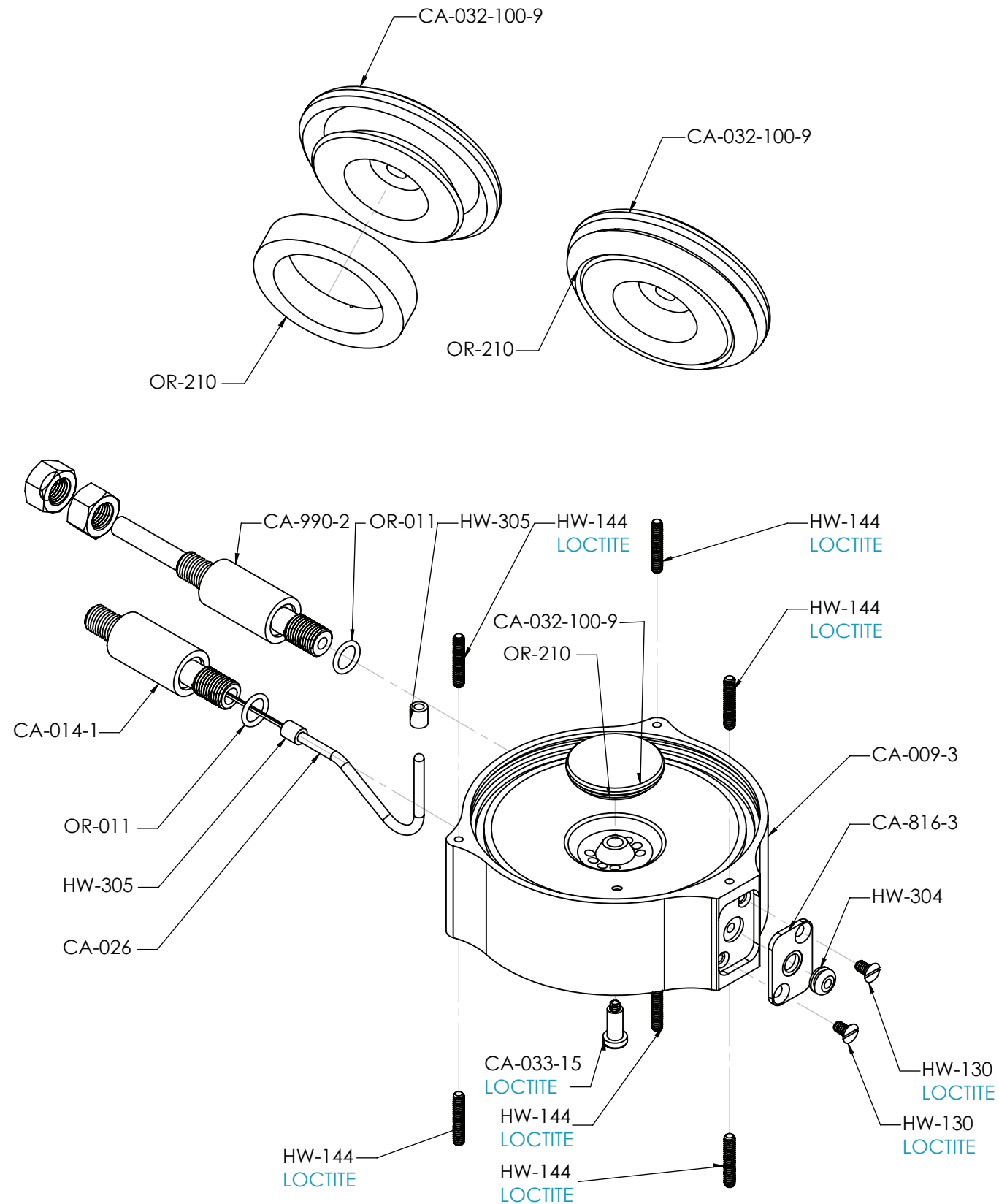
5.

TOP GLASS AND TOP FLANGE

PART NUMBER	DESCRIPTION
HW-136	18-8 SS Fillister head 6-32 7/8"
CA-102-3	Top Flange
OR-152	Seating O-Ring
OR-043	Centering O-Ring
CA-004	Upper Chamber Support Rod
SSA-TOP GLASS	Top Glass 5 1/2" Lgth

6.

CENTRAL FLANGE AND MOUNTING RODS



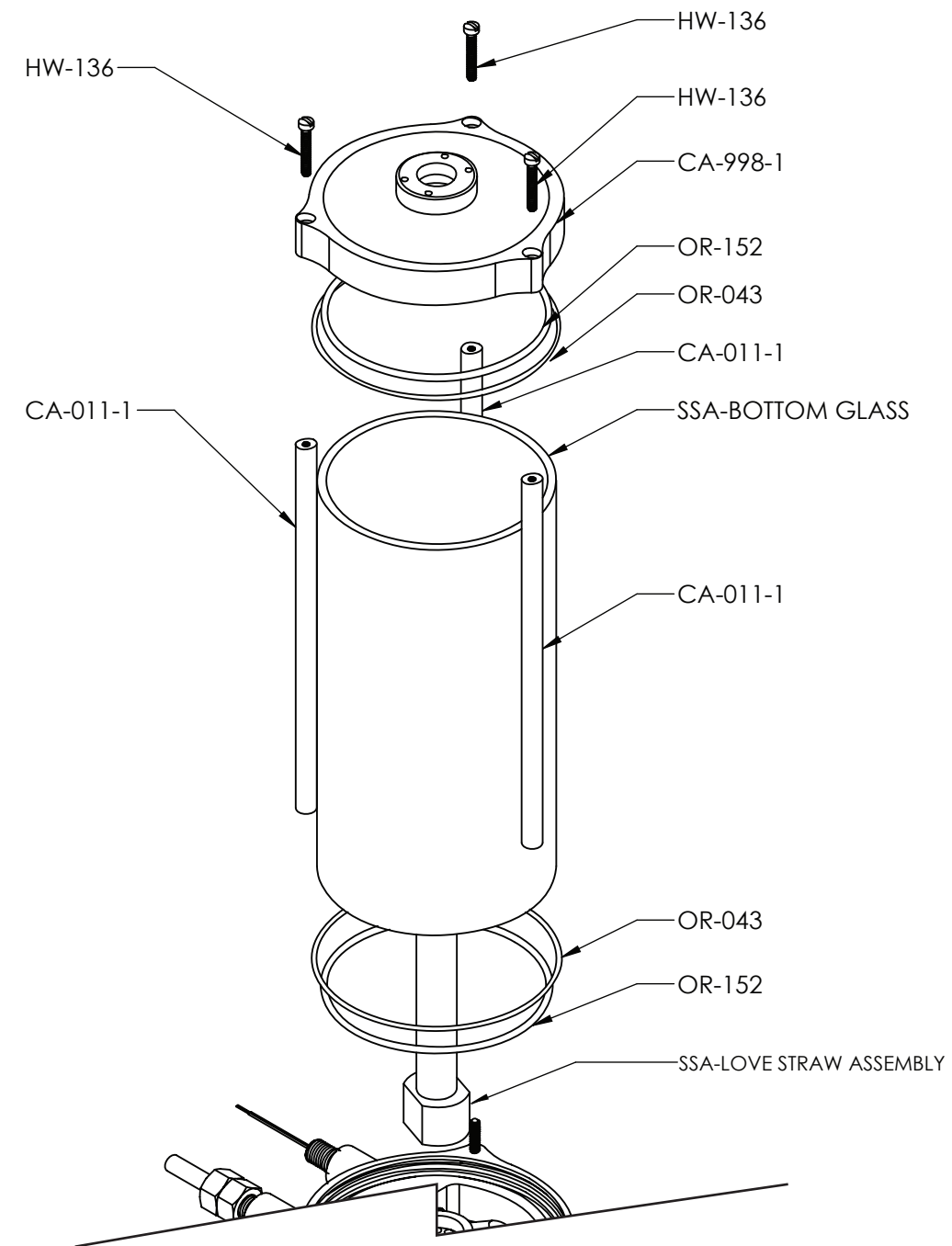
7.

CENTRAL FLANGE AND MOUNTING RODS

PART NUMBER	DESCRIPTION
CA-032-100-9	Crucible Check Valve Head
OR-210	Crucible Check Valve O-Ring
CA-990-2	Steam Mounting Rod
OR-011	Mounting Rod O-Ring
HW-305	Crucible Thermistor Silicone Tube Seal
HW-144	Set Screw 18-8 SS 6-32 3/4"
CA-014-1	Mounting Rod
CA-026-CRUCIBLE	Crucible Thermistor
CA-009-3	18-8 SS Flat Head 6-32 3/4"
CA-816-3	Magnetic Seal Plate
HW-304	Magnet Plate Silicone Grommet
HW-130	18-8 SS Flat Head 6-32 1/4"
CA-033-15	Crucible Check Valve Lifter

8.

BOTTOM GLASS AND BOTTOM FLANGE



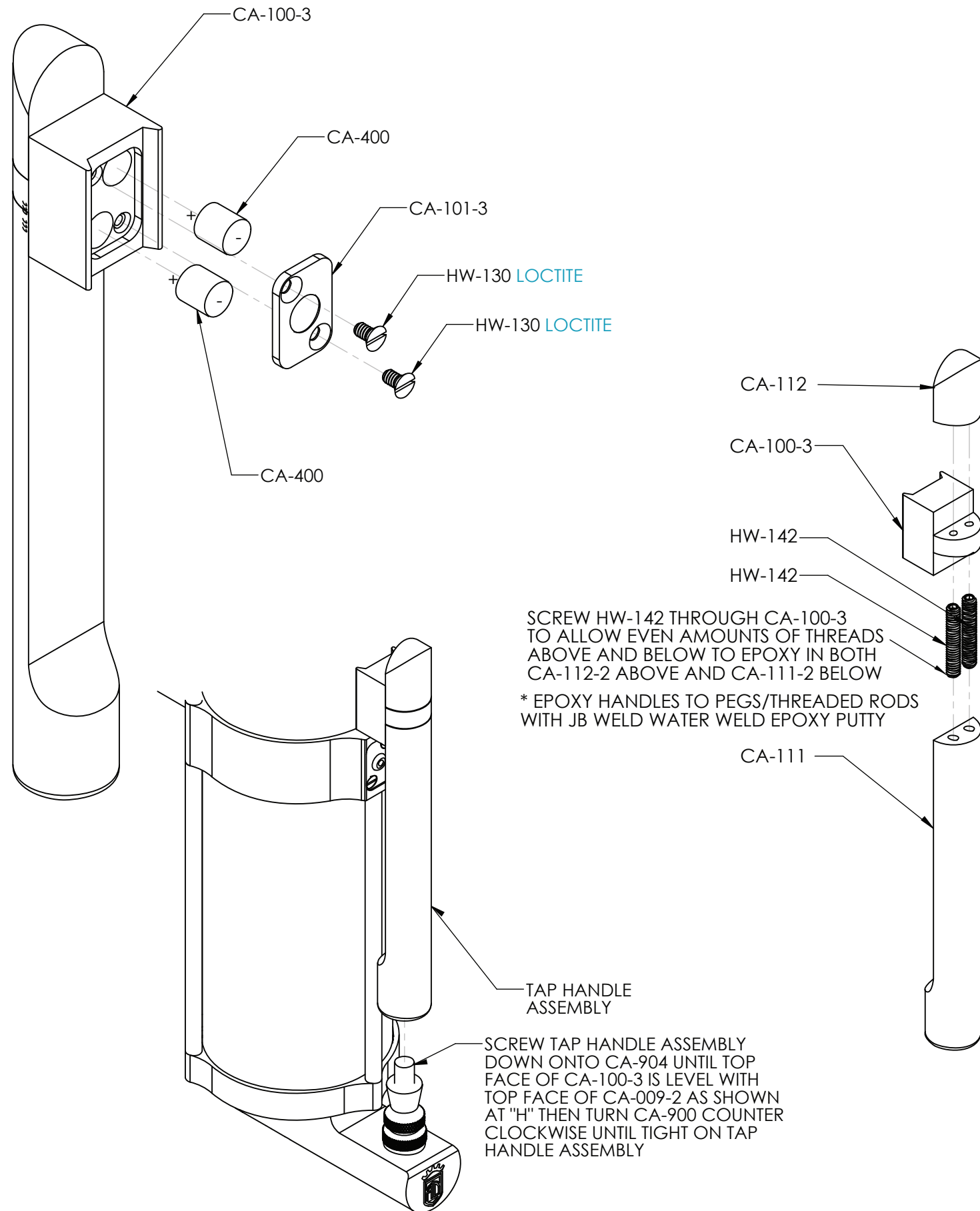
9.

BOTTOM GLASS AND BOTTOM FLANGE

PART NUMBER	DESCRIPTION
HW-136	18-8 SS Fillister head 6-32 7/8"
CA-998-1	Bottom Flange
OR-152	Seating O-Ring
OR-043	Centering O-Ring
CA-011-1	Lower Chamber Support Rod
SSA-BOTTOM GLASS	Bottom Crucible Glass 7" Lgth
SSA-LOVE STRAW ASSEMBLY	CA-010 SS Love Straw Fitting epoxied to CA-030 Glass Tube

10.

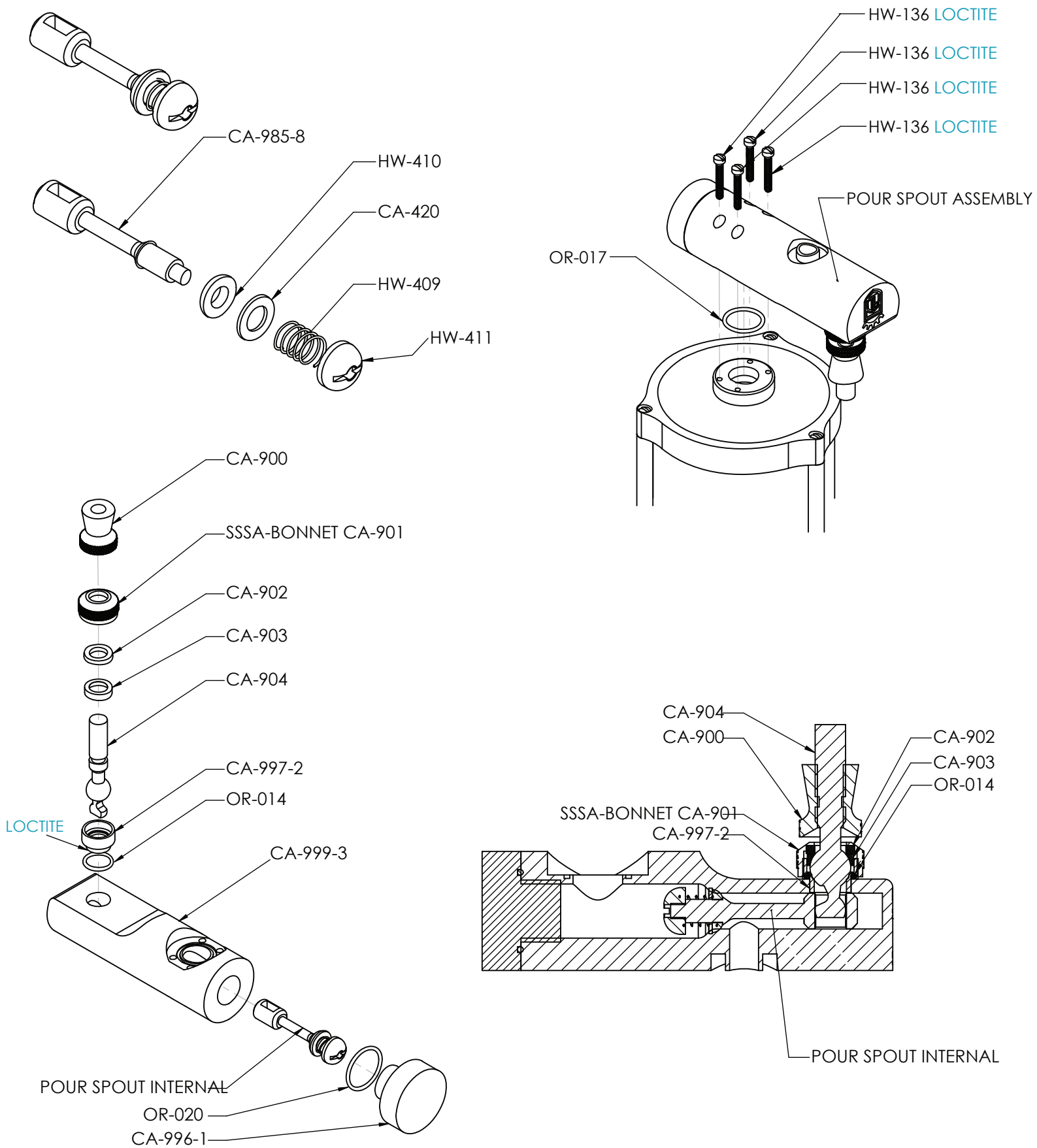
TAP HANDLE ASSEMBLY



TAP HANDLE ASSEMBLY

PART NUMBER	DESCRIPTION
CA-100-3	Tap Handle Magnet Block
CA-400	Tap Handle Magnet 3/8" Diam. 3/8" Lgth
CA-101-3	Tap Handle Magnet Plate
HW-130	18-8 SS Flathead 6-32 1/4"
CA-112	Small Handle (color must be indicated)
HW-142	Set Screw 18-8 SS 10-24 1 1/2"
CA-111	Tap Handle (color must be indicated)

POUR SPOUT ASSEMBLY



POUR SPOUT ASSEMBLY

PART NUMBER	DESCRIPTION
HW-136	18-8 SS Fillister Head 6-32 7/8"
OR-017	Pour Spout to Bottom Flange O-Ring
CA-985-8	Pour Spout Internal Shaft
HW-410	Washer for Faucet Shaft Assembly
CA-420	Washer For Pour Spout Internal, SS
HW-409	Spring for Tap Internal Shaft, .5" LENGTH
HW-411	Nut for Faucet Shaft Assembly SS
CA-900	Faucet Collar for Faucet Lever
SSSA-BONNET CA-901	Pour Spout Bonnet
CA-902	Friction Washer for Faucet Lever Assembly
CA-903	Ball Washer, Teflon, Faucet Lever Assembly
CA-904	Pour Spout Lever
CA-997-2	Threaded Tap Handle Adapter
OR-014	Tap Handle Plug O-Ring
CA-999-3	Pour Spout
OR-020	Pour Spout Plug O-Ring
CA-996-1	Pour Spout Plug