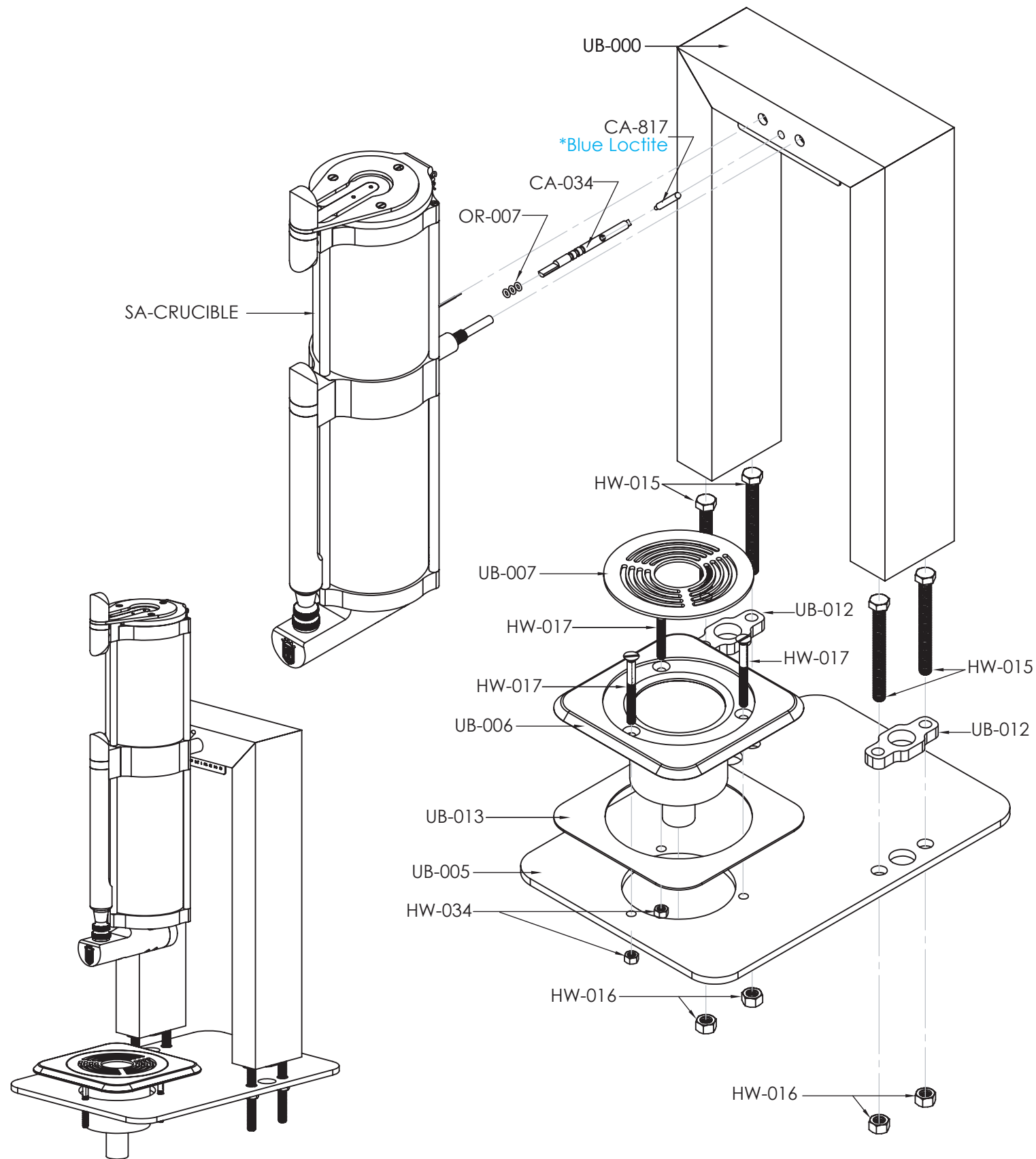


MOD ARCH ASSEMBLY



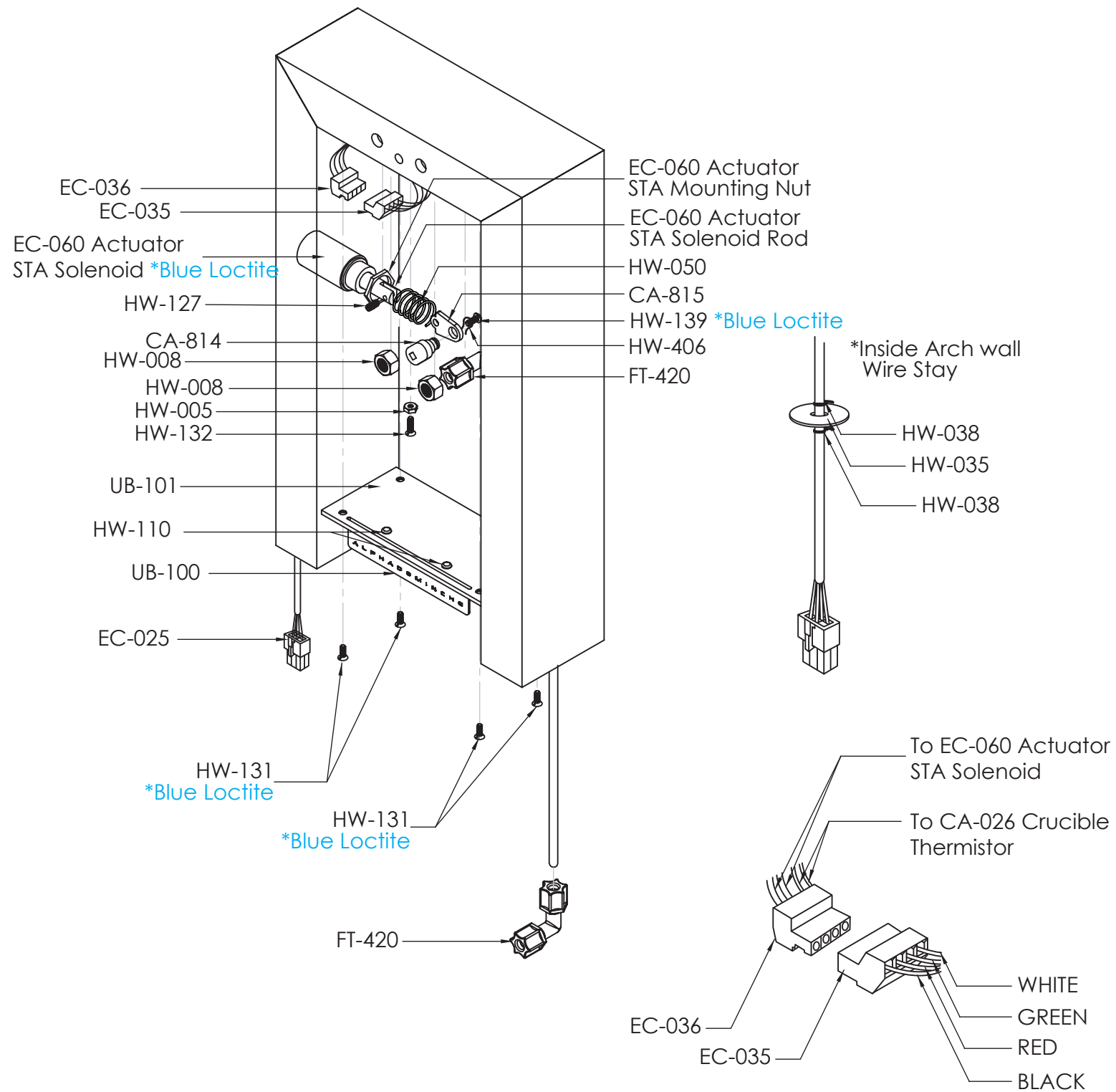
1.

MOD ARCH ASSEMBLY

PART NUMBER	DESCRIPTION	QTY.
UB-000-6	Welded Arch Frame	1
SA - CRUCIBLE	Crucible Assembly	1
UB-006-2	Welded Drain Cup	1
HW-017	0.25-20 Flathead 2.5" Lgth	3
UB-007-2	Stainless Drain Grate	1
UB-100-2	MOD Arch Logo Plate	1
UB-013-1	Drain Cup Gasket	1
UB-012-1	MOD Arch Mounting Gasket	2
HW-015	0.375-16 Hexhead Bolt 3.5" Lgth	4
HW-016	0.375-16 Hex Nut	4
UB-005-4	Under Counter Mounting Plate	1
CA-034-4	Crucible Actuator Rod	1
OR-007	Silicone O-Ring 007 Dash Size	3
CA-817-2	Actuator Trigger Handle	1
HW-034	1/4"-20 Stainless Nut	3

2.

MOD ARCH ASSEMBLY



3.

MOD ARCH ASSEMBLY

PART NUMBER	DESCRIPTION	QTY.
UB-101-3	MOD Arch under-cover plate	1
HW-131	6-32 Flathead 0.375" Lgth	4
HW-005	6-32 Nut	1
FT-420	Acetal 0.25" Compression Elbow	2
HW-008	0.375-24 Nut	2
CA-814-3	Actuator Rod Internal Lever Arm	1
CA-815-3	Actuator Rod/Solenoid Internal Pull Arm	1
HW-127	8-32 Cup Point screw 0.375" Lgth	1
EC-060 Actuator STA Solenoid	Actuator 24VDC Solenoid	1
EC-060 Actuator STA Nut	Actuator Solenoid Mounting Nut	1
EC-060 Actuator STA Solenoid rod	Actuator Solenoid Internal Rod	1
HW-406	Actuator Linkage Retaining Pin	1
HW-139	6-32 Buttonhead Screw 0.375" Lgth	1
UB-100-2	MOD Arch Logo Plate	1
HW-132	6-32 Flathead 0.5" Lgth	1
EC-025-2	Crucible Harness	1
EC-035	Green Elec. Connector x 4 Female	1
EC-036	Green Elec. Connector x 4 Male	1
HW-050	Actuator Spring	1
FT-018	1/4" PTFE Tubing	2'
HW-110	Aluminum Rivet	2
HW-035	1"X1/4" Nylon Washer	1
HW-038	Black Zip Tie	2

4.