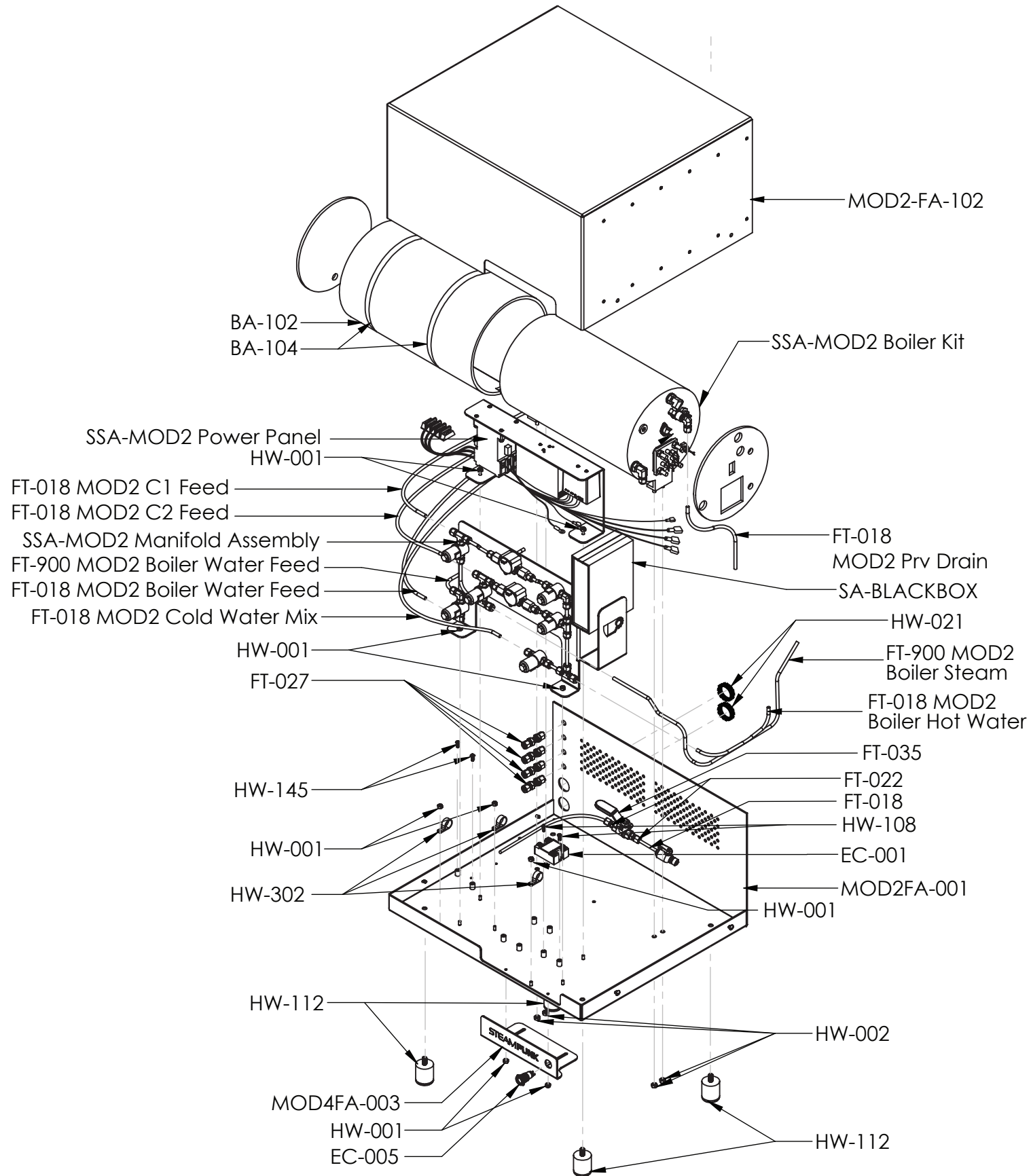


## MOD2 BASE ASSEMBLY



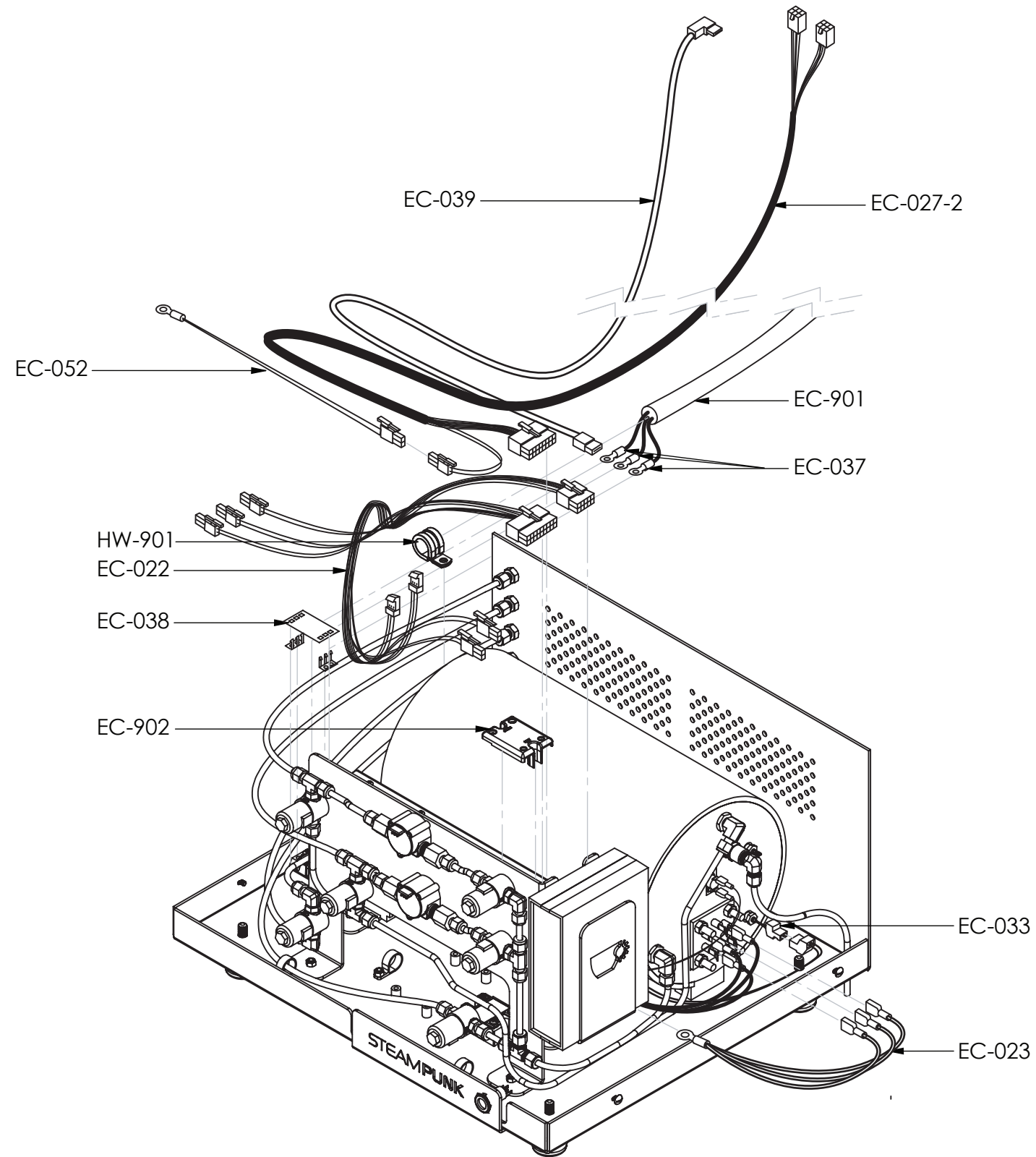
1.

## MOD2 BASE ASSEMBLY

PART NUMBER	DESCRIPTION	QTY.
SSA-MOD2 Power Panel	Electrical power panel assembly	1
FT-018	PTFE tubing	9'
SSA-MOD2 Manifold Assembly	MOD2 Plumbing assembly containing solenoids, flowmeters and tubing	1
HW-001	10-32 Locking nut, stainless steel	9
FT-027	1/4" Compression bulkhead union fitting	4
HW-145	10-32 Buttonhead bolt, 3/4" lgth stainless	2
HW-021	Edging material for elec. through holes	2
HW-302	Wiring clips	3
HW-112	Machine foot	4
MOD4FA-003	Power button mounting plate	1
EC-005	SA-Power button	1
MOD2-FA-102	MOD2 Lid assembly	1
SSA-MOD2 Boiler Kit	MOD2 Boiler assembly	1
BA-102	Boiler insulation wrap	1
BA-104	Boiler insulation ceramic tape	2
SA-BLACKBOX	Blackbox computer and wire harness	1
HW-108	10-32 Buttonhead bolt, 3/8" lgth stainless	2
EC-001	SSR	1
MOD2FA-001	MOD2 Welded base tray	1
HW-002	1/4"-20 Nut, stainless steel	2
FT-900	Stainless tubing	3'
FT-022	1/4" npt X 1/4" Compression fitting brass	2
FT-035	Drain ball valve brass	1
TU-020	Plastic ball valve	1

2.

## MOD2 BASE ASSEMBLY



3.

## MOD2 BASE ASSEMBLY

PART NUMBER	DESCRIPTION	QTY.
EC-032	2 position terminal plug, Male	1
EC-038	3 position terminal block cover	1
EC-039	Tablet to blackbox cable connection, 24Ga, USB 2.0 to micro USB right angle	1
EC-902	SSR Cover	1
EC-023	SSR to heating element wire harness	1
EC-037	Terminal insulator ring	3
HW-901	Rubber cushioned loop clamp/strain relief	1
EC-901	Power cord/10 ga, 3 core, insulated	7'
EC-022	MOD2 Flowmeter harness	1
EC-052	MOD2 Crucible to Ground harness	1
EC-027-2	MOD2 Crucible to Blackbox harness	1

4.