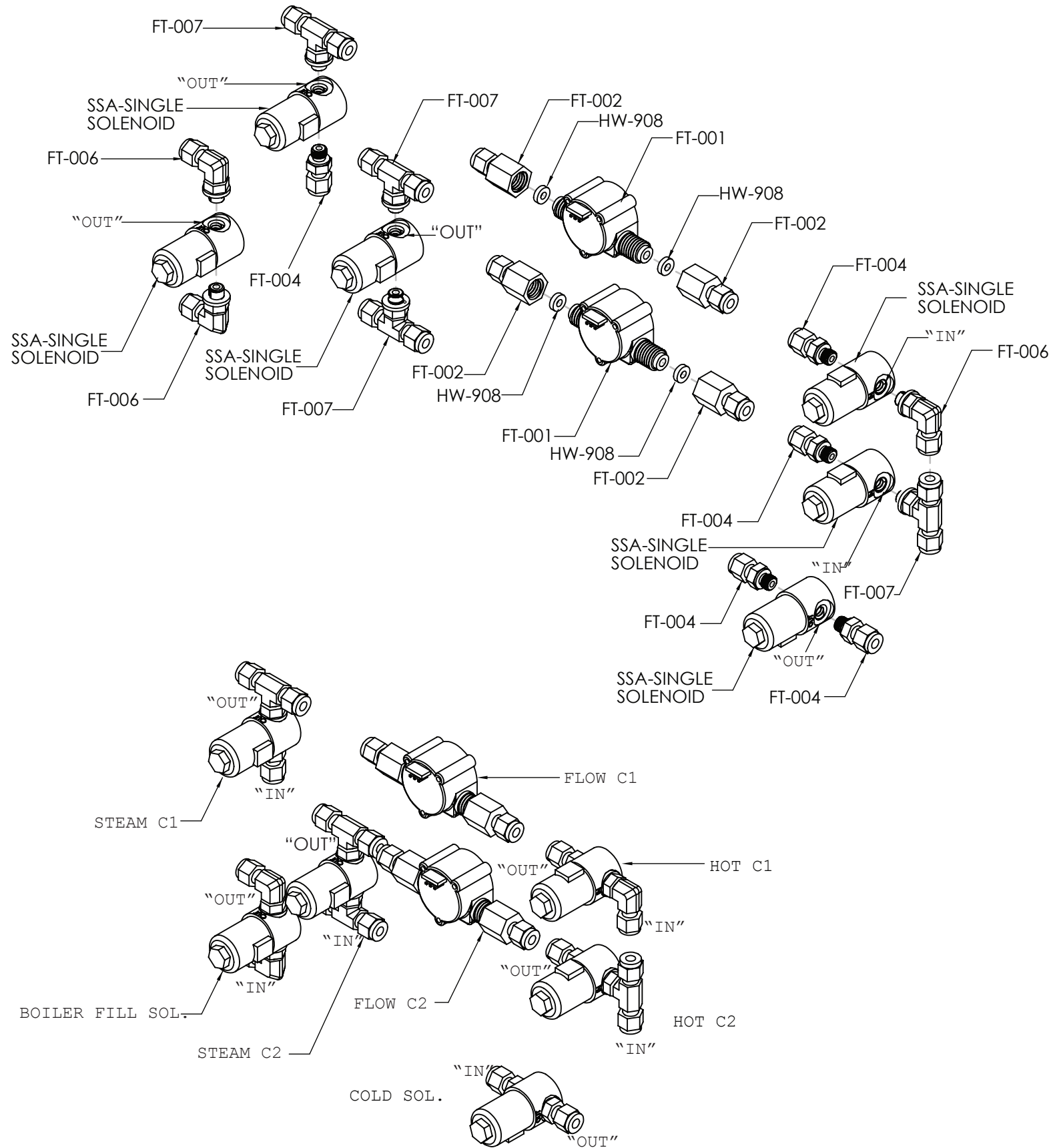


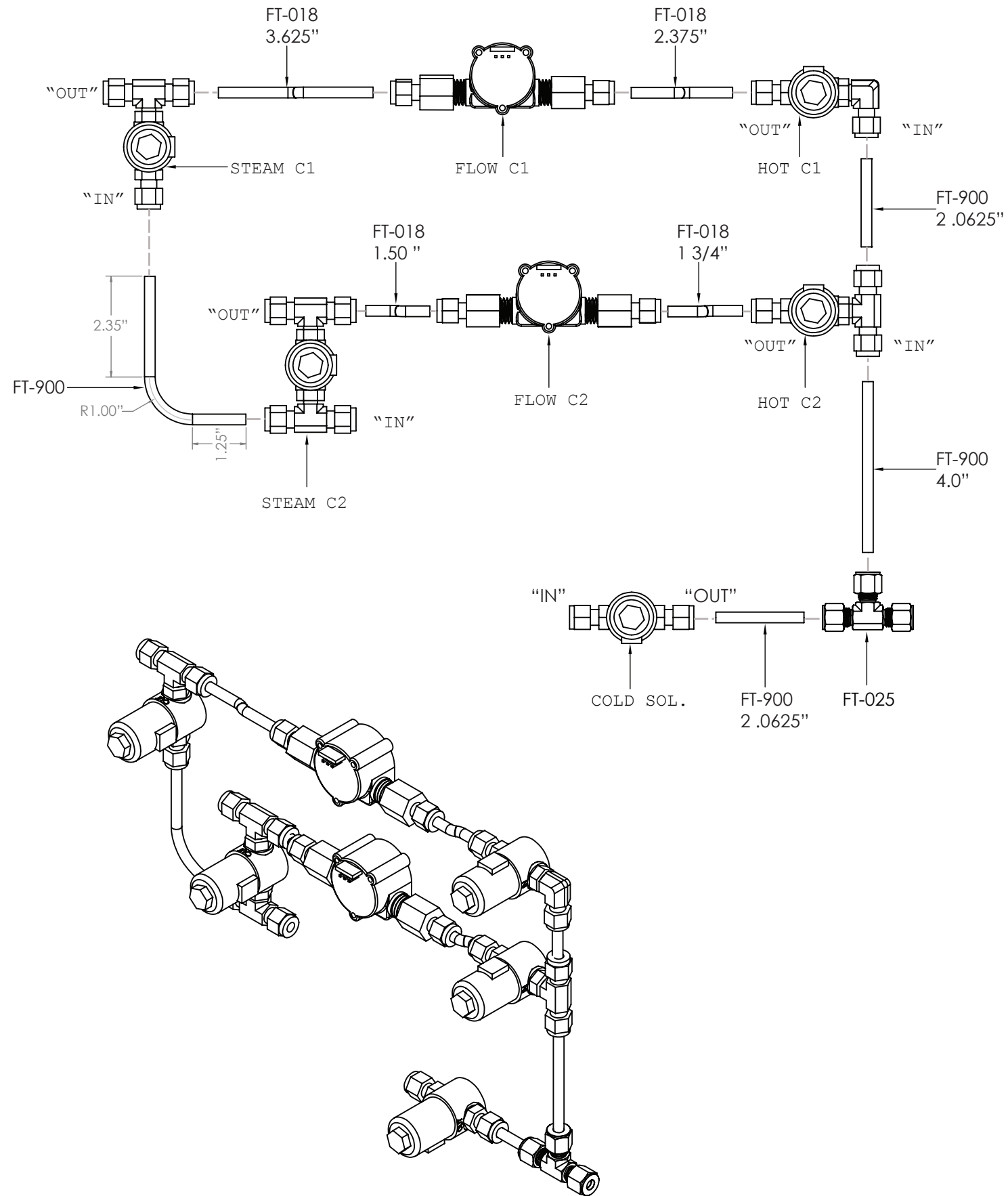
# MOD2 MANIFOLD ASSEMBLY



# MOD2 MANIFOLD ASSEMBLY

PART NUMBER	DESCRIPTION	QTY.
SSA Single Solenoid	24V solenoid valve	6
FT-001	Flow Meter	2
FT-007	T Male .125 BSPP to .25 Tubing	4
HW-908	Bib Washer 000L	4
FT-004	Male .125 BSPP to .25 Tubing (Alpha Dominche's conflicted copy 2013-05-13)	5
FT-006	90 deg. Male .125 BSPP to .25 Tubing (Alpha Dominche's conflicted copy 2013-05-13)	3
FT-025	.25" Compression Tee	1
FT-002	Female .25 BSPP to .25 Tubing (Alpha Dominche's conflicted copy 2013-05-13)	4

# MOD2 MANIFOLD ASSEMBLY



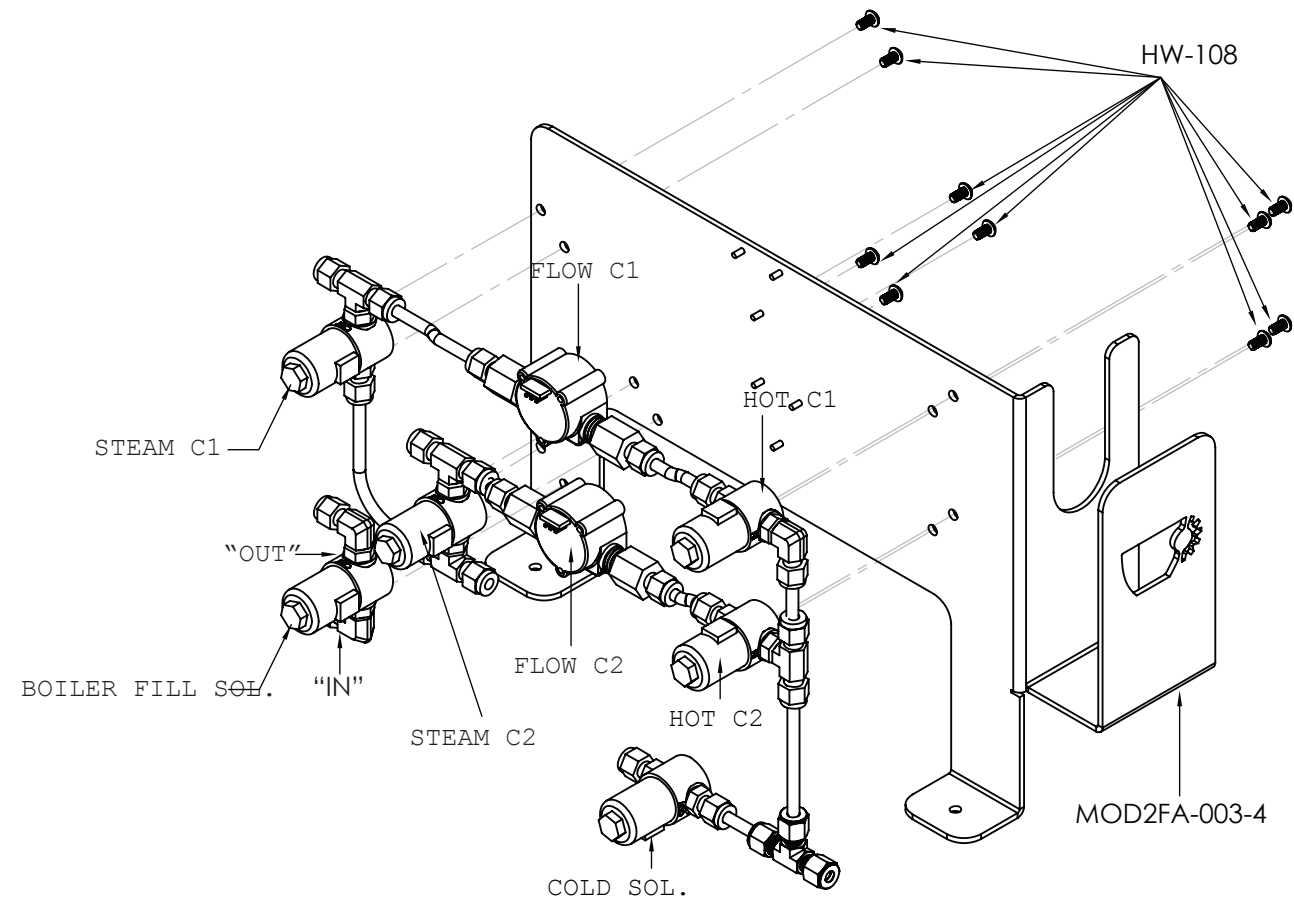
3.

# MOD2 MANIFOLD ASSEMBLY

PART NUMBER	DESCRIPTION	QTY.
FT-018	Teflon tube approx. 9.25" total	1
FT-900	Stainless tube approx. 11" total	1

4.

# MOD2 MANIFOLD ASSEMBLY



# MOD2 MANIFOLD ASSEMBLY

PART NUMBER	DESCRIPTION	QTY.
MOD2FA-003-4	Flowmeter Harness, powder coated aluminum	1
HW-108	Stainless 10-32 0.375"lgth Button Head Socket Cap Screw	10