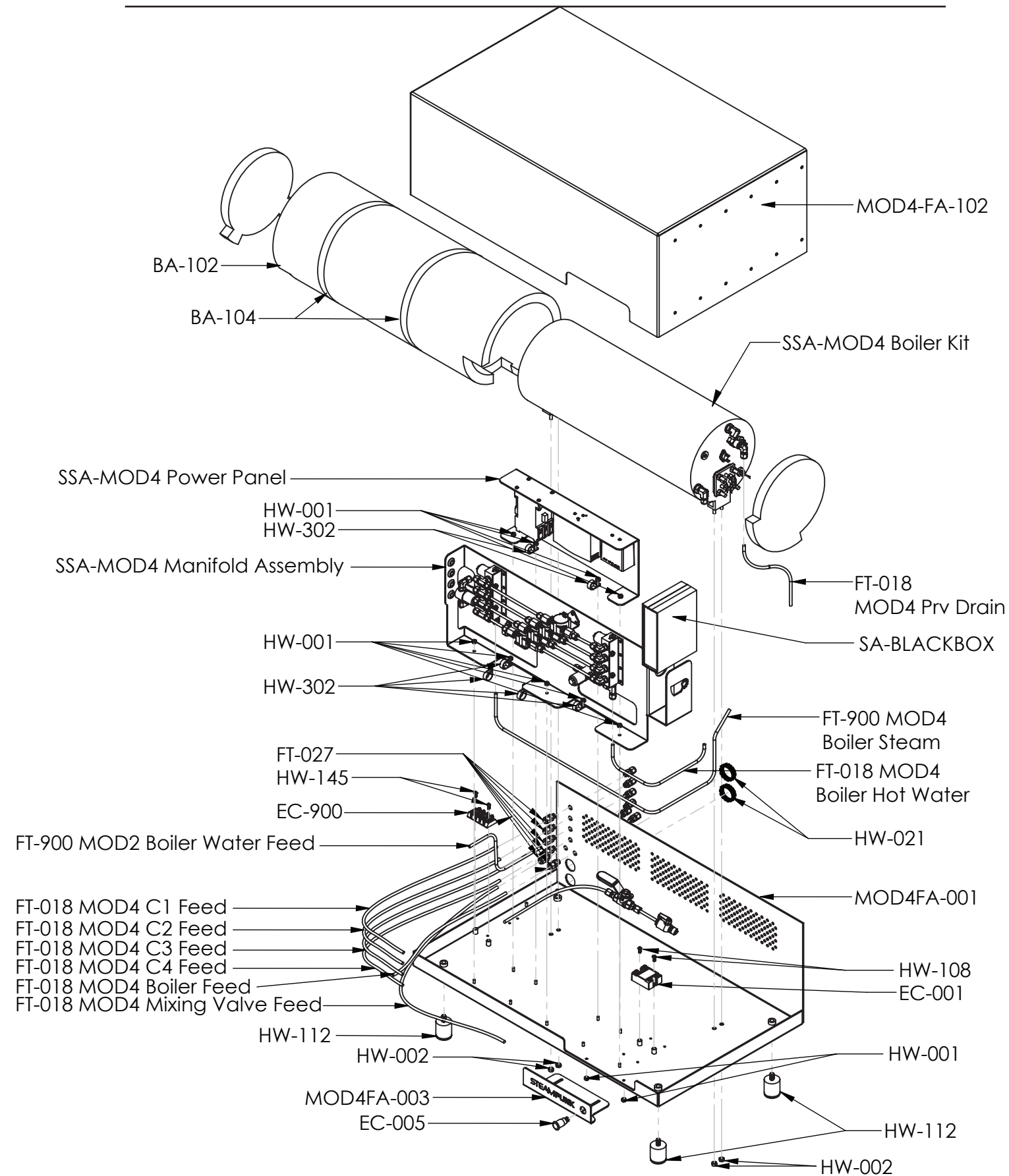


## MOD4 BASE ASSEMBLY



1.

## MOD4 BASE ASSEMBLY

PART NUMBER	DESCRIPTION	QTY.
SSA-MOD4 Power Panel	Electrical power panel assembly	1
FT-018	PTFE tubing	14'
SSA-MOD4 Manifold Assembly	MOD4 Plumbing assembly containing solenoids, flowmeters and tubing	1
HW-001	10-32 Locking nut, stainless steel	13
FT-027	1/4" Compression bulkhead union fitting	6
HW-145	10-32 Buttonhead bolt, 3/4" lgth stainless	4
HW-021	Edging material for elec. through holes	2
HW-302	Wiring clips	6
HW-112	Machine foot	4
MOD4FA-003	Power button mounting plate	1
EC-005	SA-Power button	1
MOD4-FA-102	MOD4 Lid assembly	1
SSA-MOD4 Boiler Kit	MOD4 Boiler assembly	1
BA-102	Boiler insulation wrap	1
BA-104	Boiler insulation ceramic tape	2
SA-BLACKBOX	Blackbox computer and wire harness	1
HW-108	10-32 Buttonhead bolt, 3/8" lgth stainless	2
EC-001	SSR	1
MOD4FA-001	MOD4 Welded base tray	1
HW-002	1/4"-20 Nut, stainless steel	4
FT-900	Stainless tubing	6'
FT-022	1/4" npt X 1/4" Compression fitting brass	2
FT-035	Drain ball valve brass	1
TU-020	Plastic ball valve	1

2.