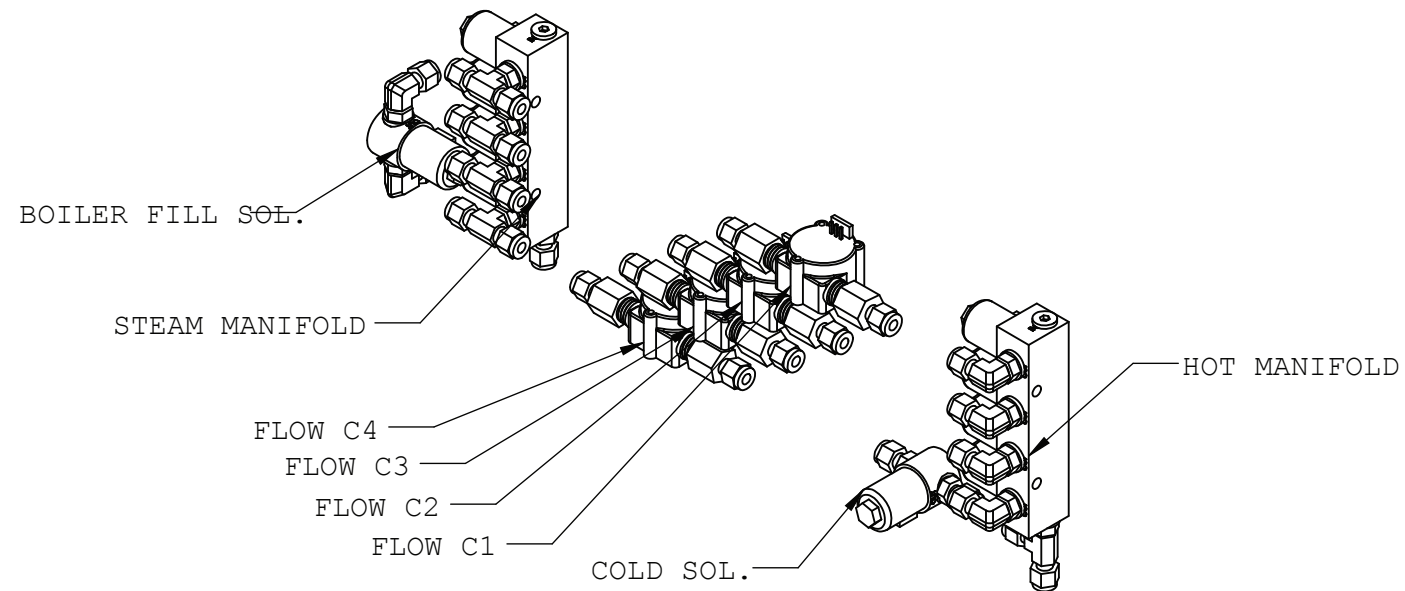
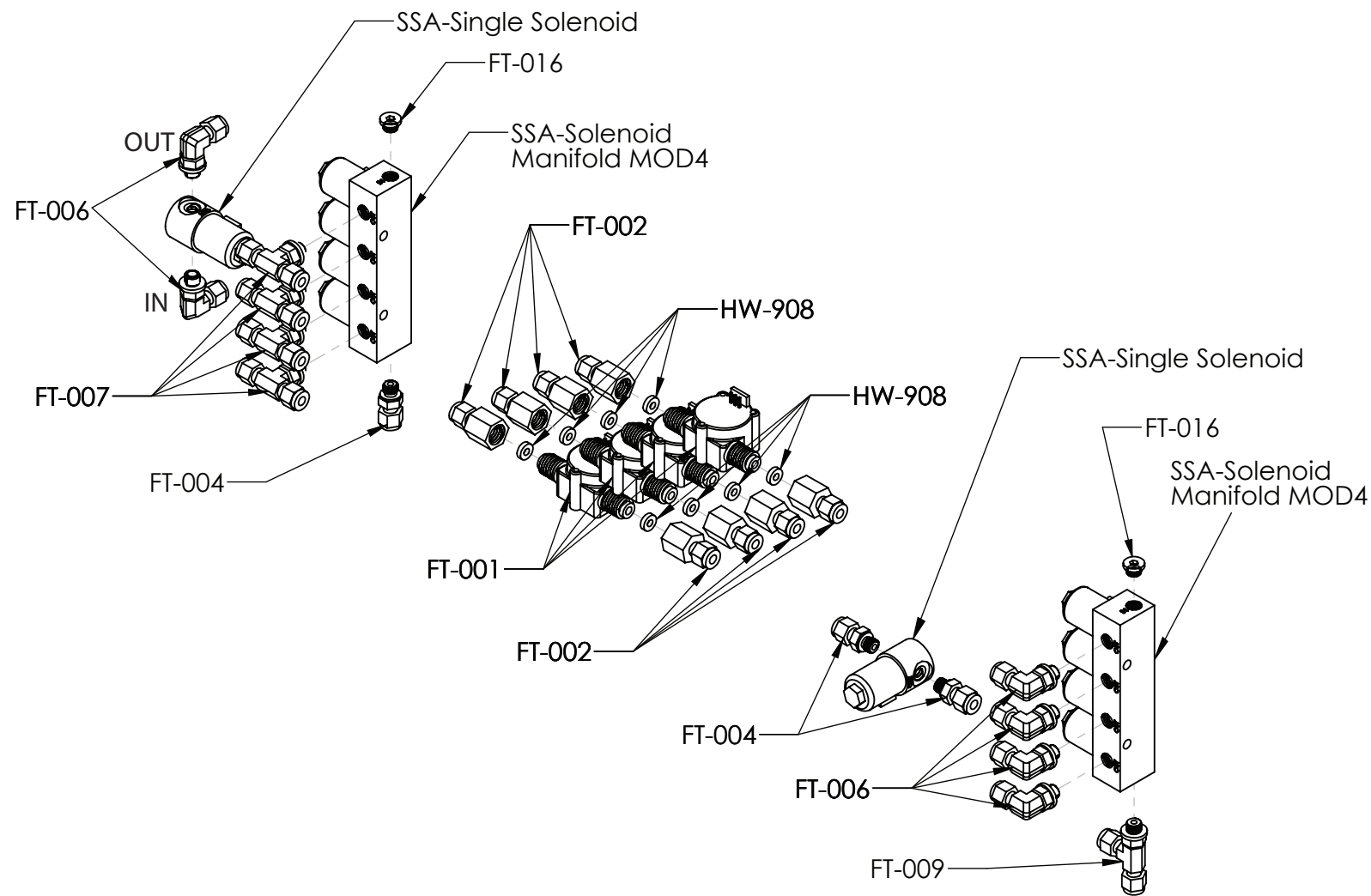


## MOD2 MANIFOLD ASSEMBLY



1.

## MOD2 MANIFOLD ASSEMBLY

PART NUMBER	DESCRIPTION	QTY.
SSA-Solenoid Manifold MOD4	24V solenoid valve X 4 in manifold	2
FT-009	Positionable Male Run T .125 BSPP to .25 Tubing	1
FT-006	90 deg. Male .125 BSPP to .25 Tubing	6
FT-007	T Male .125 BSPP to .25 Tubing	4
SSA Single Solenoid	24V solenoid valve	2
FT-001	Flow Meter	4
HW-908	Bib Washer 000L	8
FT-002	Female .25 BSPP to .25 Tubing	8
FT-016	Male .125 BSPP Plug	2
FT-004	Male .125 BSPP to .25 Tubing	3

2.

# MOD2 MANIFOLD ASSEMBLY

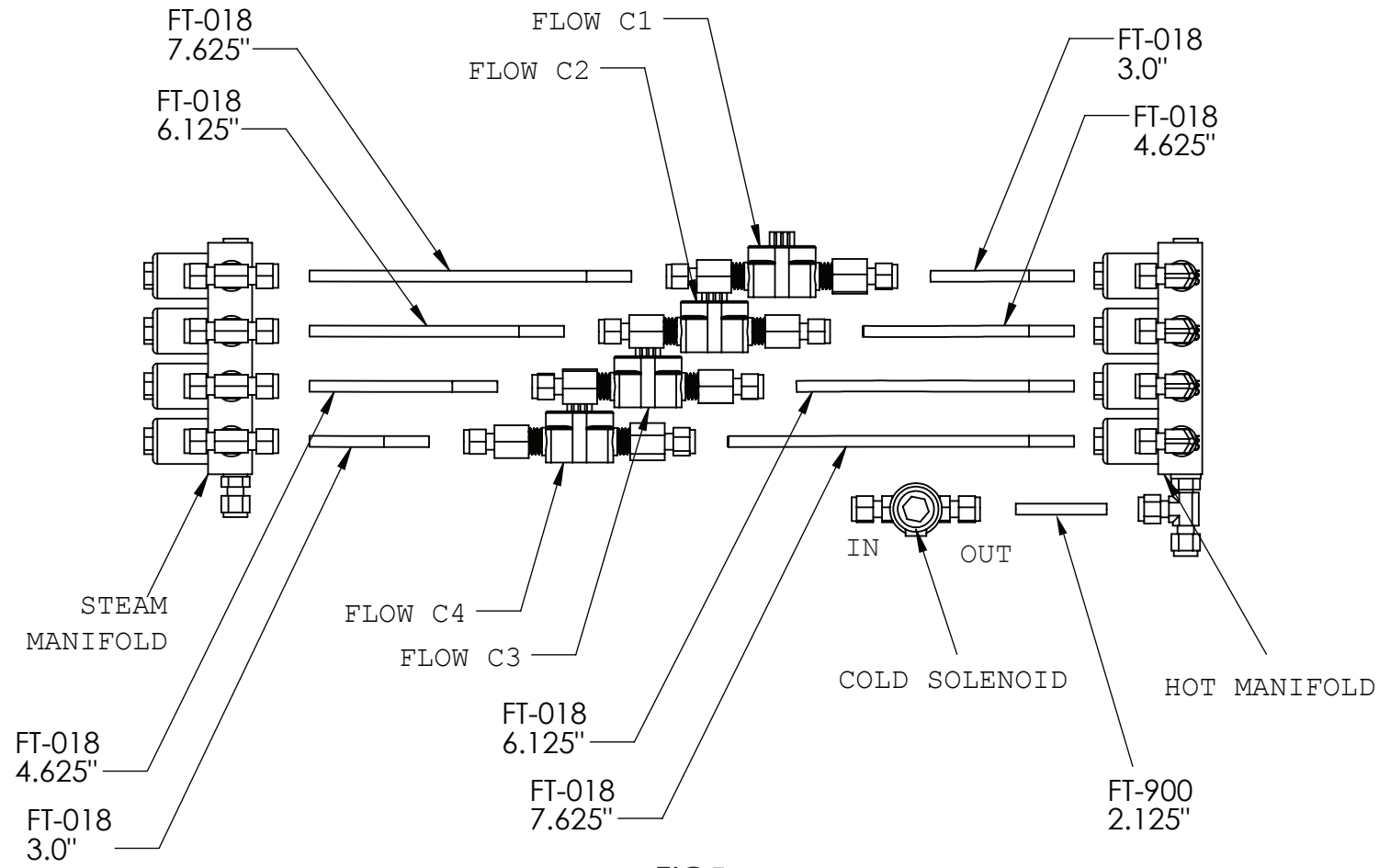
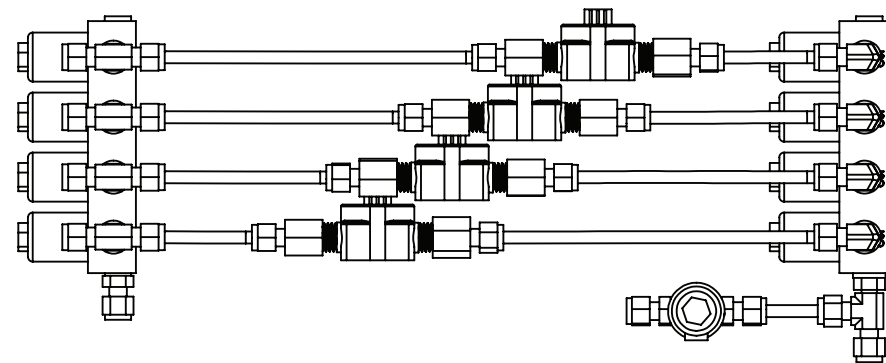


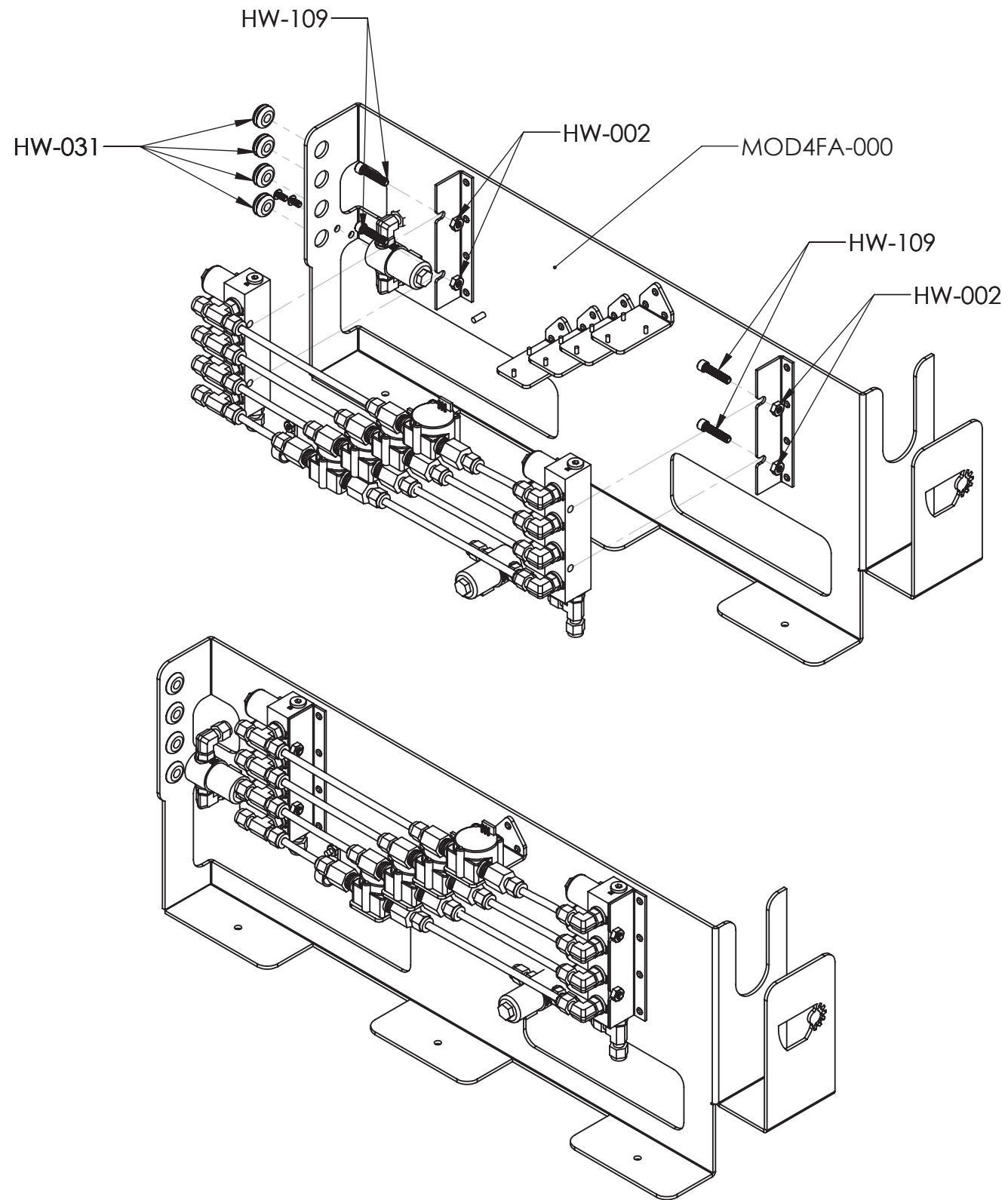
FIG.5



# MOD2 MANIFOLD ASSEMBLY

PART NUMBER	DESCRIPTION	QTY.
FT-900	Stainless tube 0.25" OD	1
FT-018	0.25" OD thick walled PTFE tubing	8

## MOD2 MANIFOLD ASSEMBLY



5.

## MOD2 MANIFOLD ASSEMBLY

PART NUMBER	DESCRIPTION	QTY.
MOD4FA-000-3	Manifold Harness Assembly	1
HW-109	Stainless Socket head 0.25"-20 Bolt 1.125" Lgth	4
HW-002	Stainless .25"-20 Nut	4
HW-031	Panel Grommet	4

6.