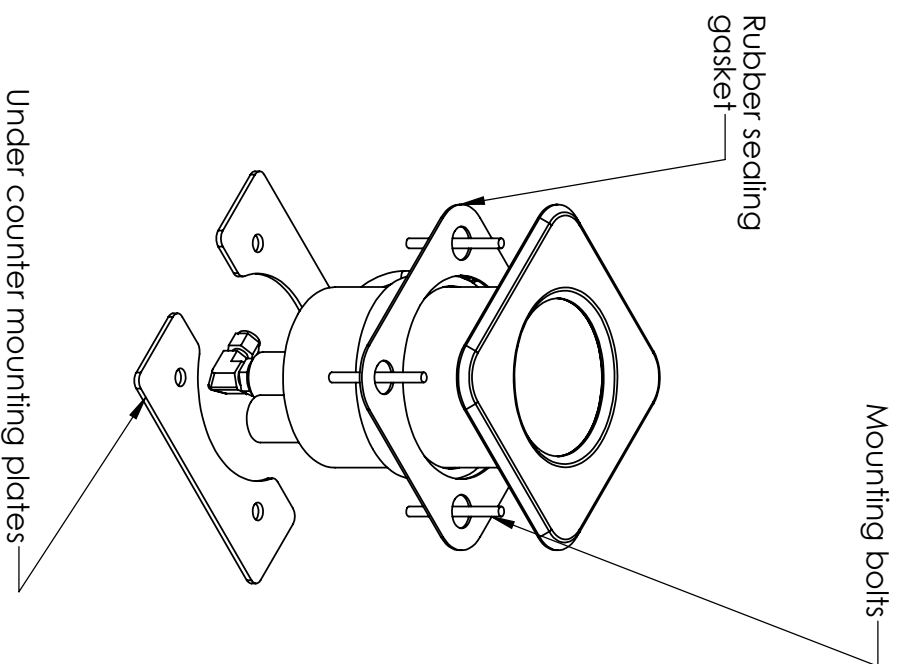
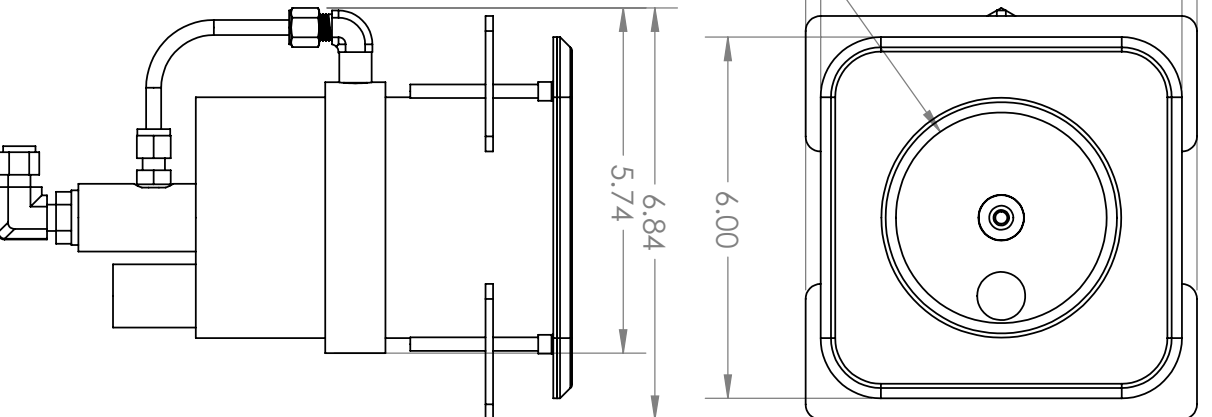


9.22* Under counter clearance needed from top of counter down



ALL DIMENSIONS IN INCHES

Note	Details	REV	Date	Changes

Material	Alpha Domineche LTD
Piston Rinser Assembly	
CL-222	
REVISION 2	SHEET 1 OF 1