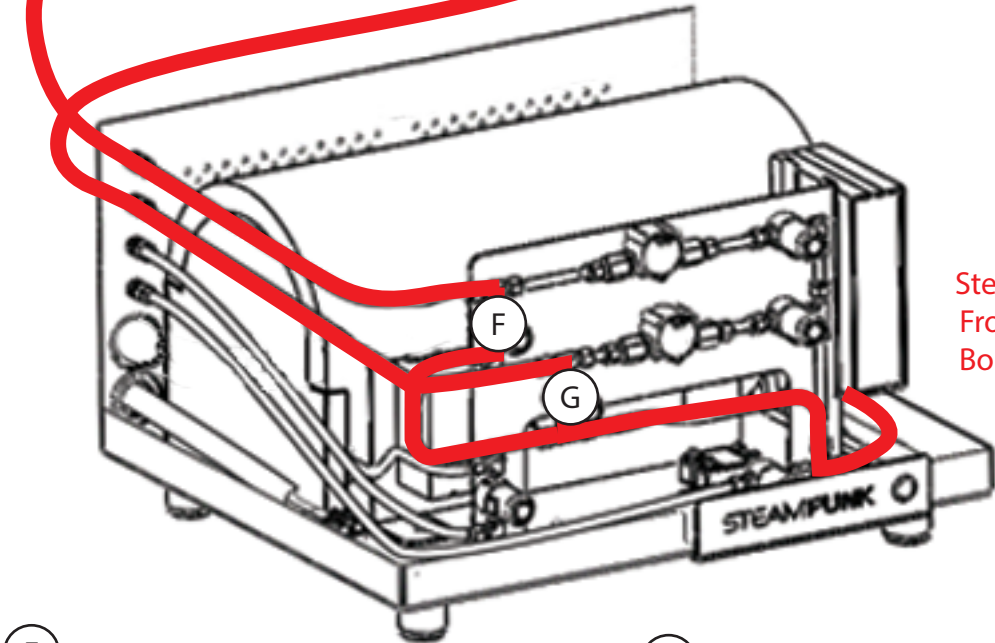
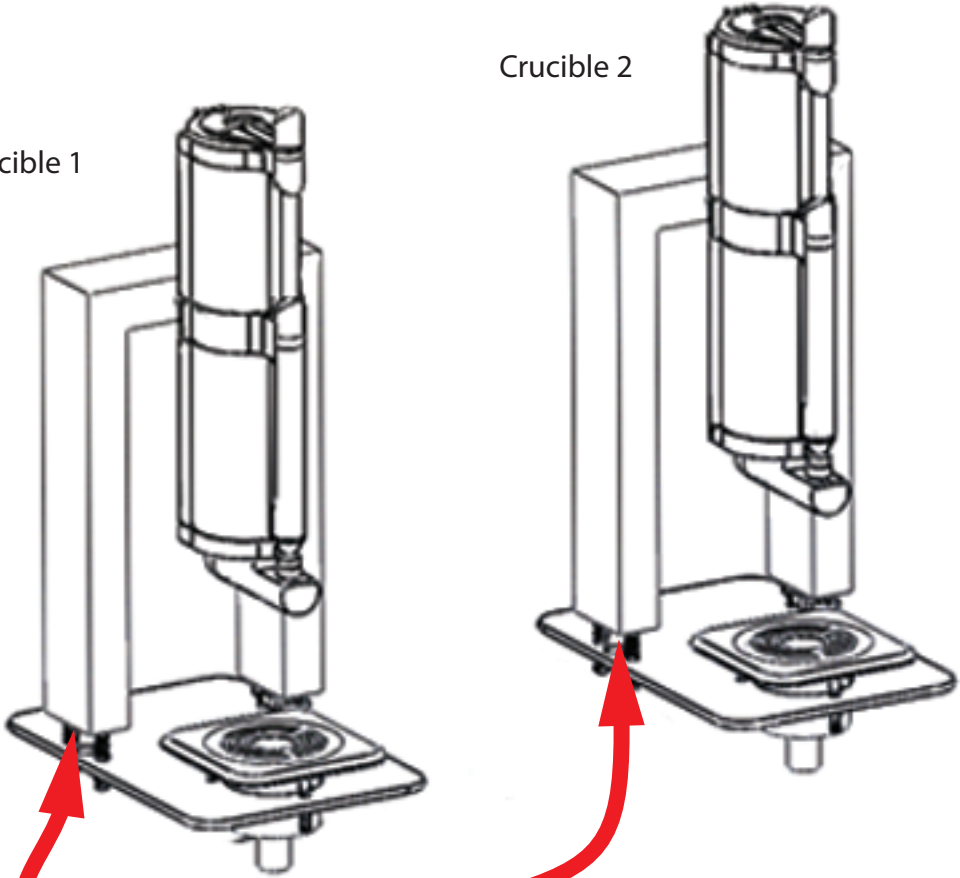


Crucible 1

Crucible 2



Steam
From
Boiler

(F) Crucible 1 Steam Solenoid

(G) Crucible 2 Steam Solenoid